

1 DRIVEWAY GATE SITE PLAN

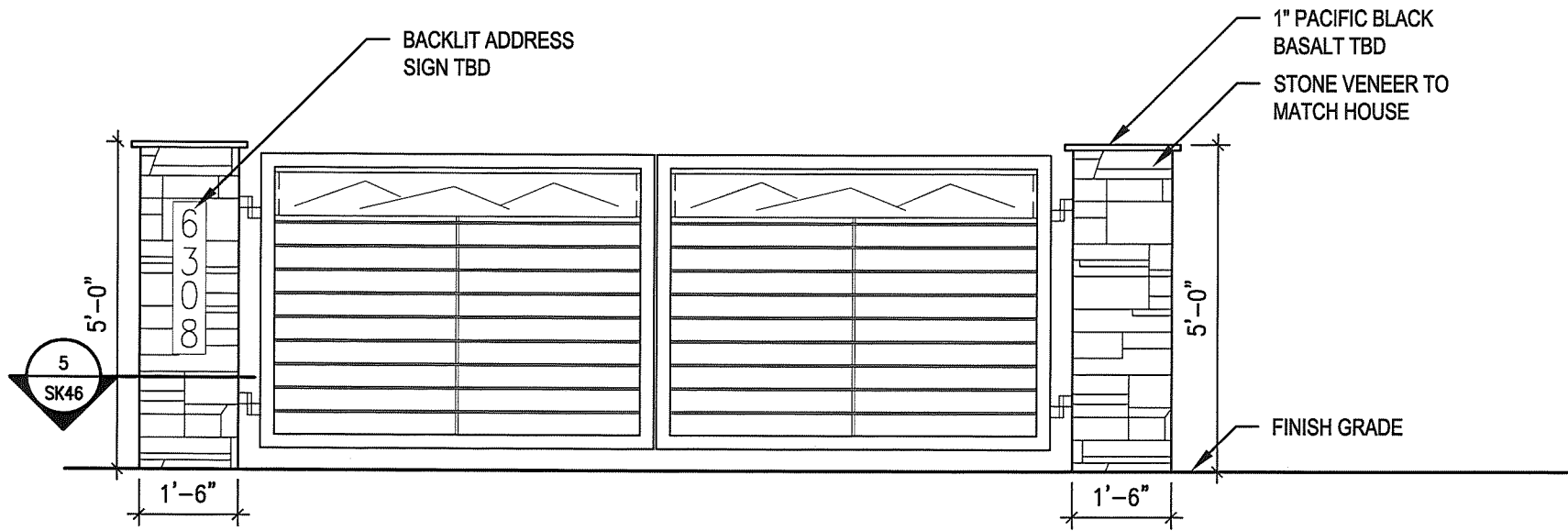
SCALE: 1" = 20'

STURMAN ARCHITECTS
 9 103rd Ave NE, #203
 Bellevue, WA 98004
 Tel (425) 451-7003
 www.sturmanarchitects.com

TALL-KJOS RESIDENCE
 6308 SE 22ND ST
 MERCER ISLAND, WA 98040


DRAWING DESCRIPTION:	FIRE DEPARTMENT UTILITY CONNECTION
REF:	SCALE: AS NOTED

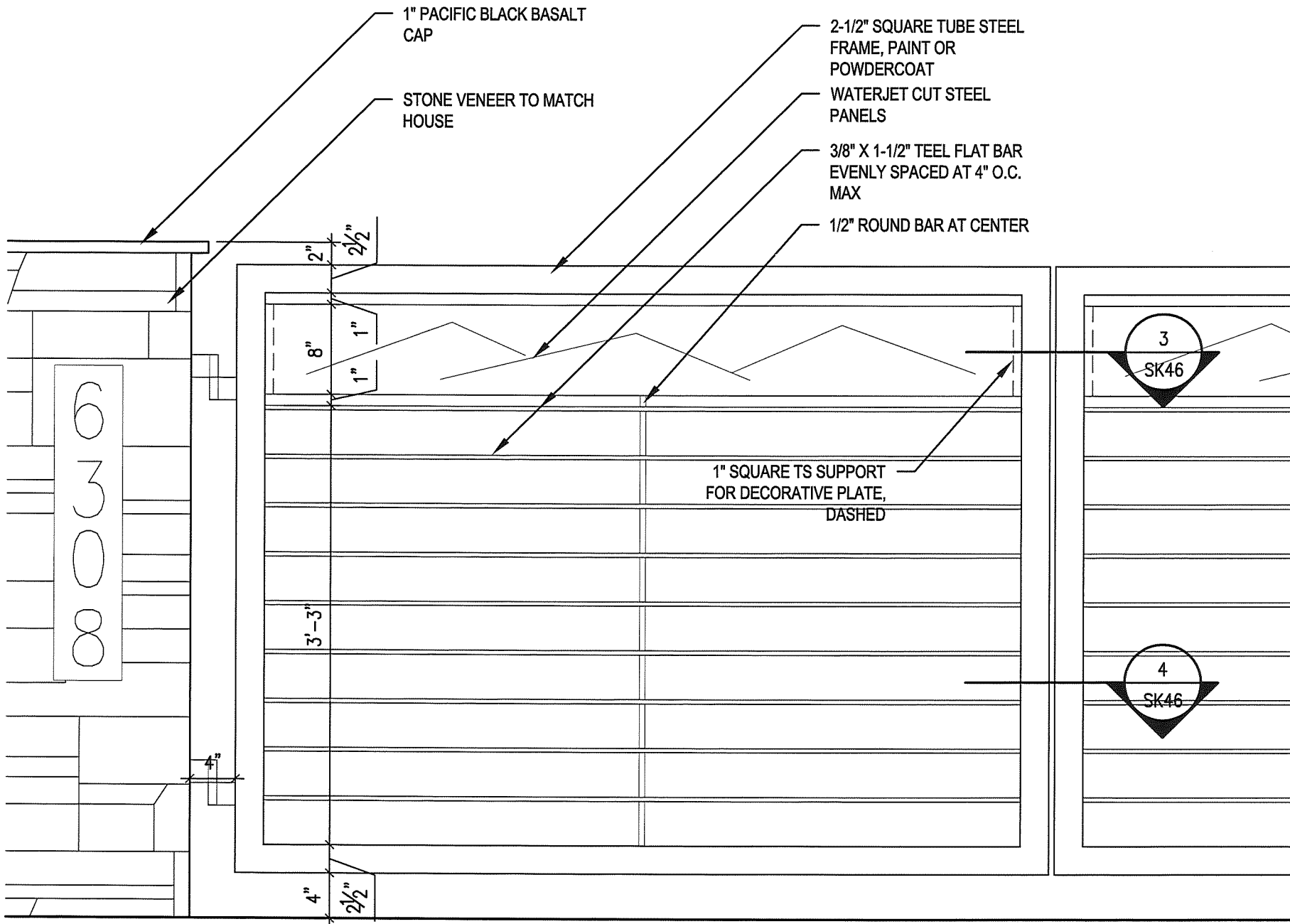
SK-47.0
 Date: 1/31/17




1 DRIVEWAY GATE ELEVATION

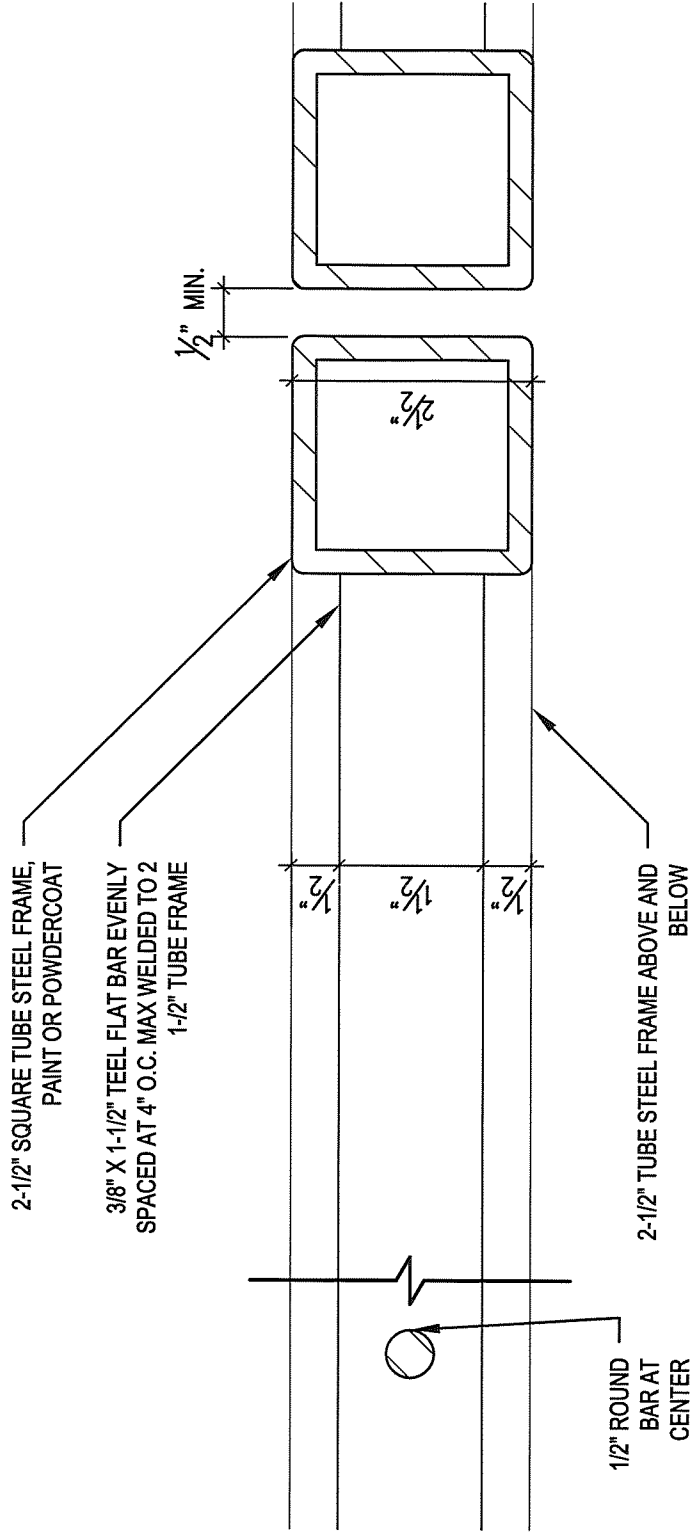
SCALE: 3/8" = 1'-0"

SK-46.0 DRAWING DESCRIPTION: DRIVEWAY GATE ELEVATION SCALE: AS NOTED	Date: 2/3/17
	TALL-KJOS RESIDENCE 6308 SE 22ND ST MERCER ISLAND, WA 98040
9 103rd Ave NE, #203 Bellevue, WA 98004 Tel (425) 451-7003 www.sturmanarchitects.com	 STURMAN ARCHITECTS



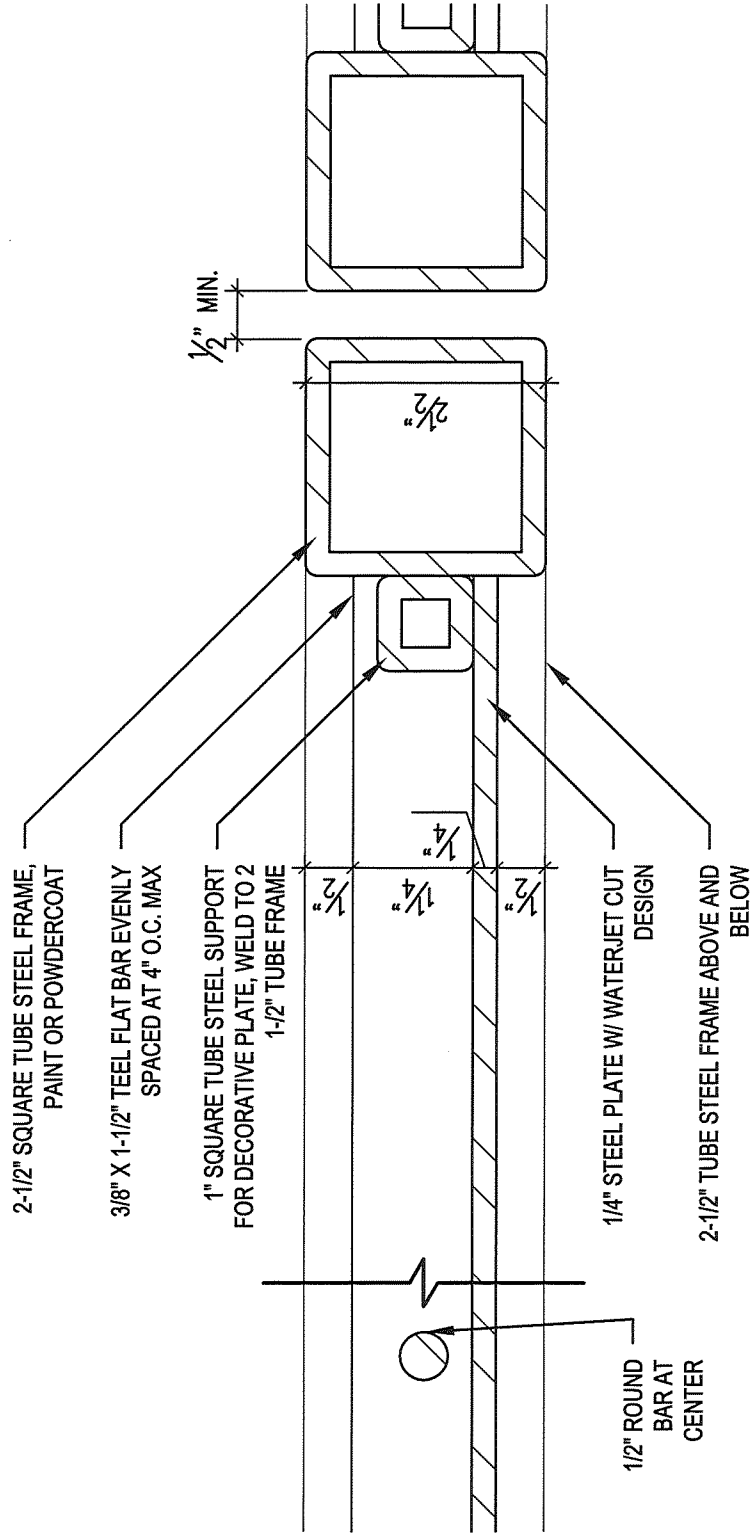
2 DRIVEWAY GATE PANEL ELEVATION
 SCALE: 1" = 1'-0"

SK-46.1	
DRAWING DESCRIPTION:	Date: 2/3/17
DRIVEWAY GATE	
DETAIL	
SCALE: AS NOTED	
TALL-KJOS RESIDENCE	
6308 SE 22ND ST MERCER ISLAND, WA 98040	
9 103rd Ave NE, #203 Bellevue, WA 98004 Tel (425) 451-7003 www.sturmanarchitects.com	
 STURMAN ARCHITECTS	




3 GATE UPPER DETAIL

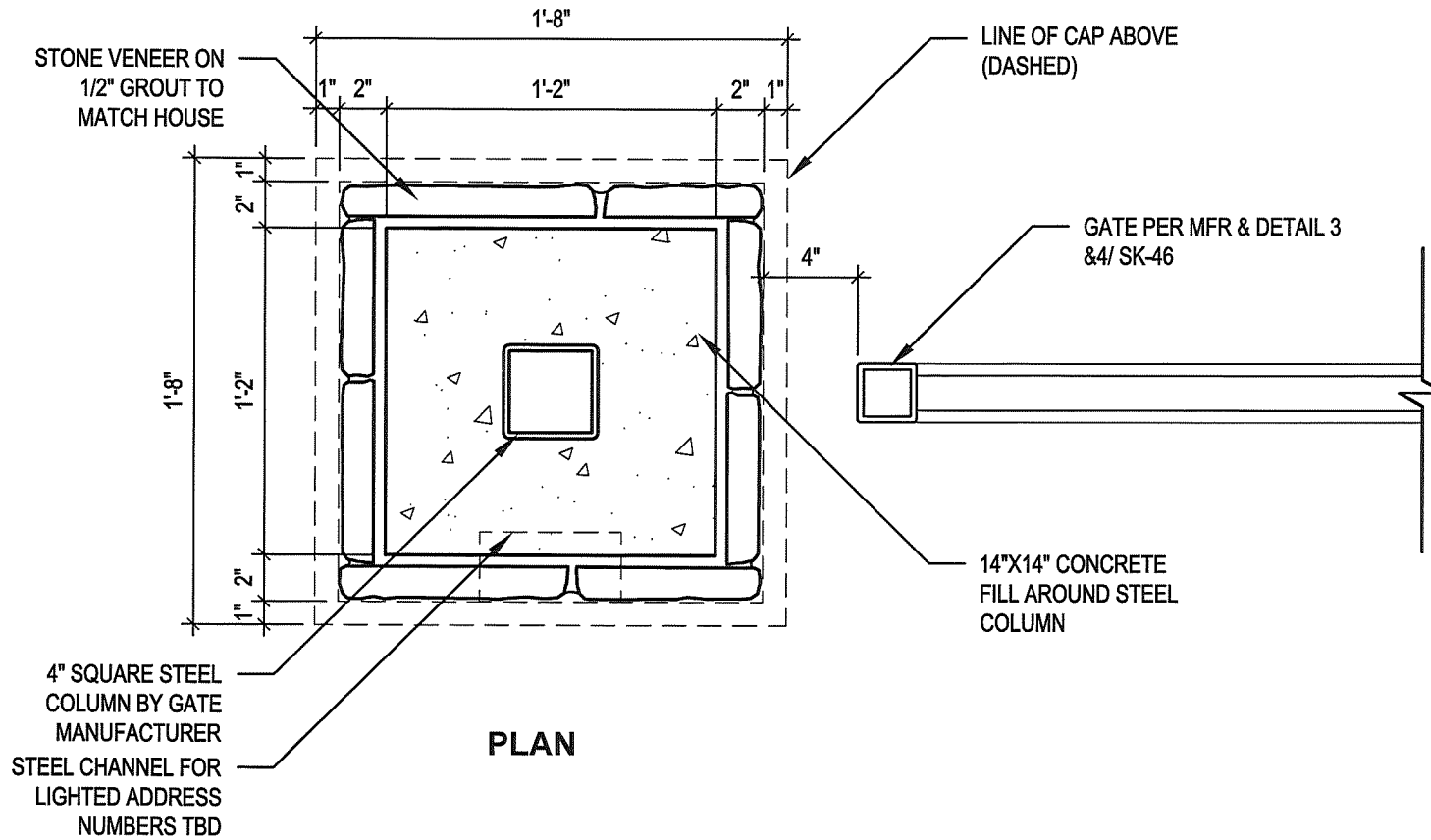
SCALE: 6" = 1'-0"



4 GATE LOWER DETAIL

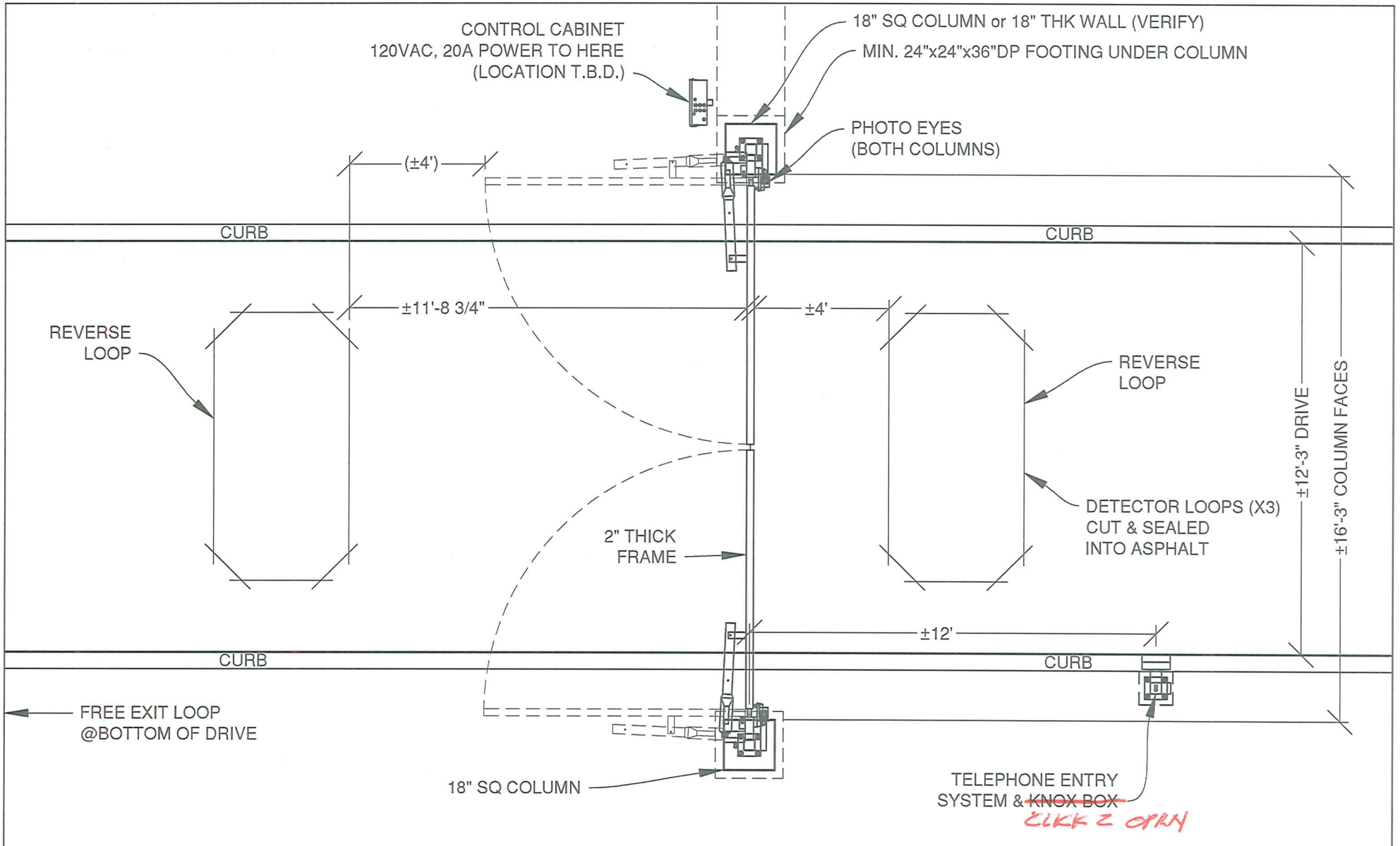
SCALE: 6" = 1'-0"

 STURMAN ARCHITECTS	9 103rd Ave NE, #203 Bellevue, WA 98004 Tel (425) 451-7003 www.sturmanarchitects.com	TALL-KJOS RESIDENCE 6308 SE 22ND ST MERCER ISLAND, WA 98040	DRAWING DESCRIPTION: DRIVEWAY GATE DETAIL SCALE: AS NOTED	SK-46.2 Date: 2/3/17
	All Rights Reserved © 2016			



5 DRIVEWAY GATE COLUMN PLAN
SCALE: 1 1/2" = 1'-0"

SK-46.3 DRAWING DESCRIPTION: DRIVEWAY GATE DETAIL SCALE: AS NOTED	Date: 2/3/17
	TALL-KJOS RESIDENCE 6308 SE 22ND ST MERCER ISLAND, WA 98040
9 103rd Ave NE, #203 Bellevue, WA 98004 Tel (425) 451-7003 www.sturmanarchitects.com	STURMAN ARCHITECTS



GATE PLAN

SCALE 1/4" = 1'-0"



FINISH: ALL STEEL PARTS TO BE SEMI-GLOSS BLACK POLYURETHANE OVER EPOXY PRIMER.
 TOLERANCE: ALL "GAPS" TO BE ±1/2". ALL OTHER DIMENSIONS ±1/4" UNLESS NOTED.



JOB NAME: KJOS RESIDENCE

DATE: 01/03/17 REVISED: #

DRAWN BY: LF

PAGE: 1

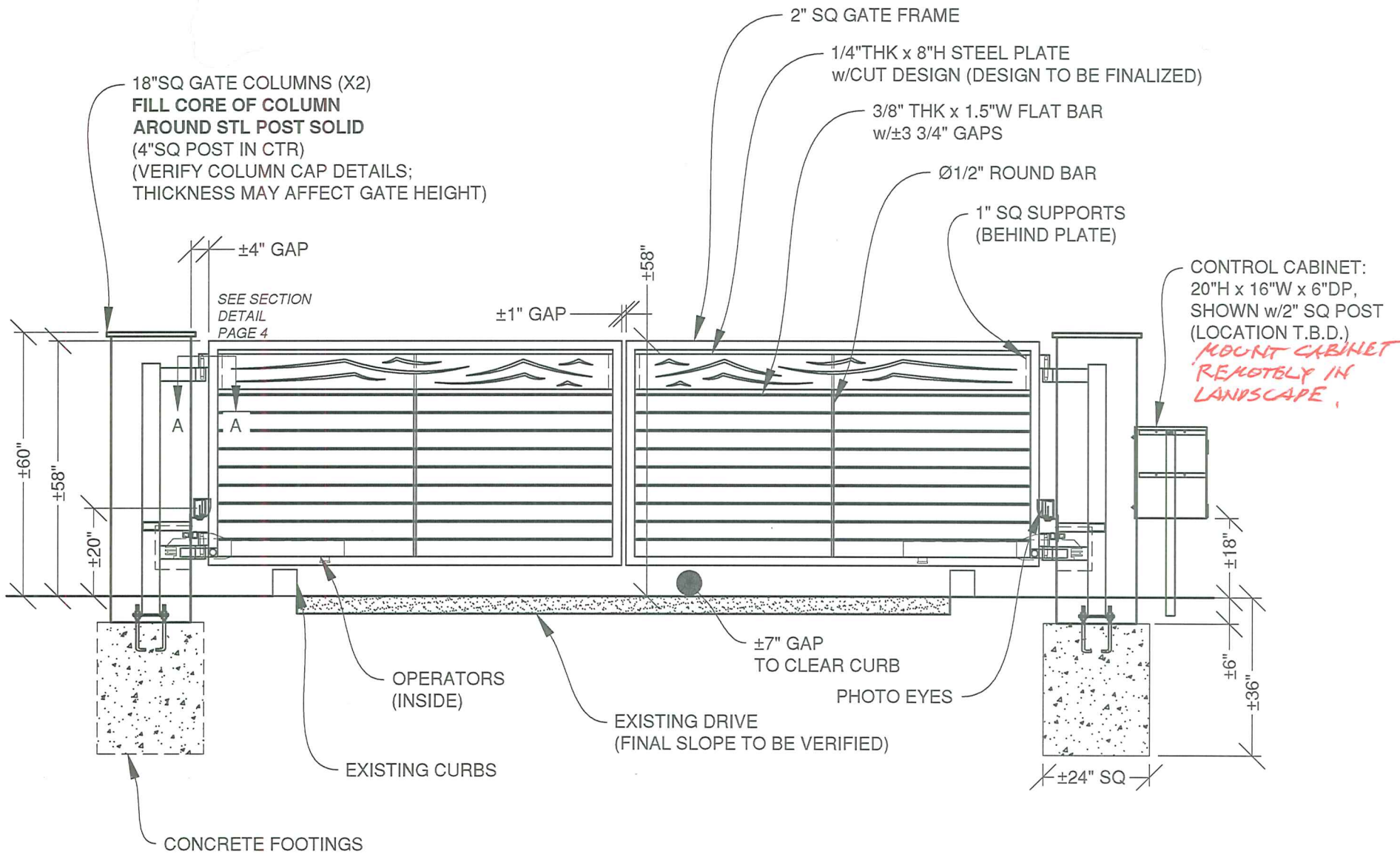
Automated Gates & Equipment Co.

10847 E. Marginal Way So., Seattle, WA. 98168

PH 206-767-9080

FX 206-767-9077

www.aegates.com



GATE ELEVATION

SCALE 3/8" = 1'-0"

FINISH: ALL STEEL PARTS TO BE SEMI-GLOSS BLACK POLYURETHANE OVER EPOXY PRIMER.
 TOLERANCE: ALL "GAPS" TO BE ±1/2". ALL OTHER DIMENSIONS ±1/4" UNLESS NOTED.



JOB NAME: KJOS RESIDENCE

DATE: 01/03/17 REVISED: # _____

DRAWN BY: LF

PAGE: 2

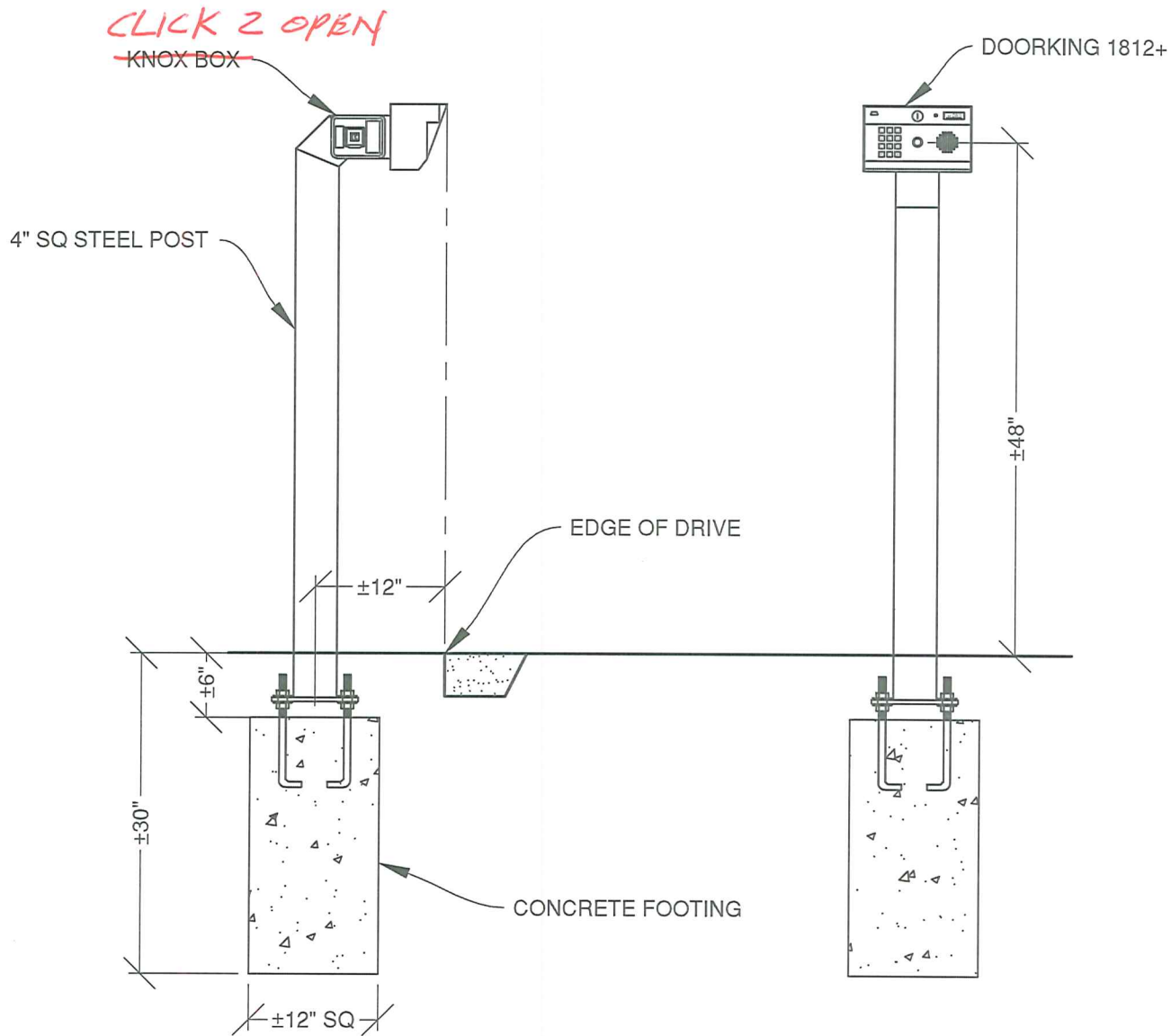
Automated Gates & Equipment Co.

10847 E. Marginal Way So., Seattle, WA. 98168

PH 206-767-9080

FX 206-767-9077

www.aegates.com



ENTRY PEDESTAL

SCALE 3/4" = 1'-0"

FINISH: ALL STEEL PARTS TO BE SEMI-GLOSS BLACK POLYURETHANE OVER EPOXY PRIMER.
 TOLERANCE: ALL "GAPS" TO BE ±1/2". ALL OTHER DIMENSIONS ±1/4" UNLESS NOTED.



JOB NAME: KJOS RESIDENCE

DATE: 01/03/17

REVISED: #

DRAWN BY: LF

PAGE: 3

Automated Gates & Equipment Co.

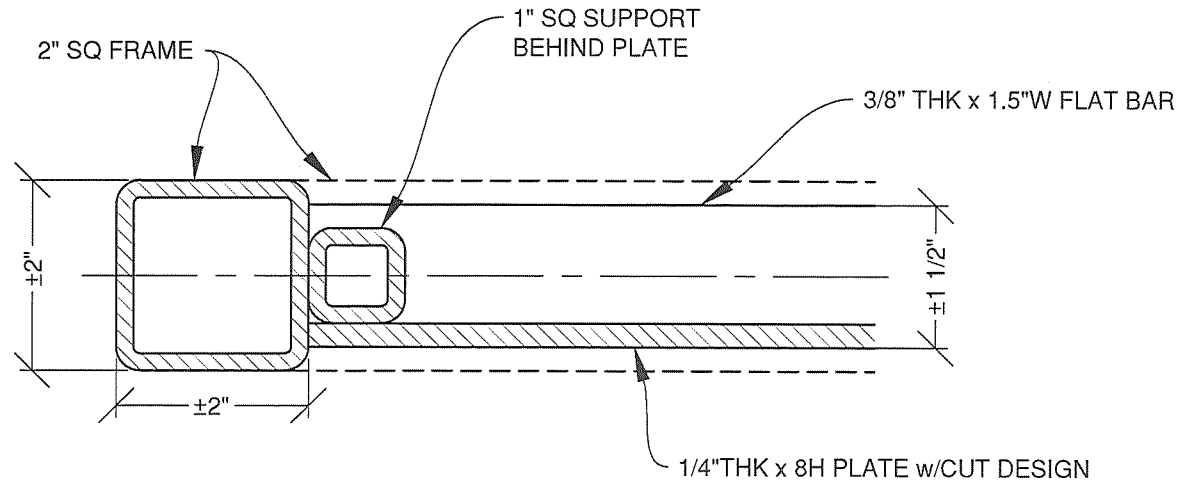
10847 E. Marginal Way So., Seattle, WA. 98168

PH 206-767-9080

FX 206-767-9077

www.aegates.com

INSIDE



OUTSIDE

SECTION DETAIL

SCALE 6" = 1'-0"

FINISH: ALL STEEL PARTS TO BE SEMI-GLOSS BLACK POLYURETHANE OVER EPOXY PRIMER.
TOLERANCE: ALL "GAPS" TO BE $\pm 1/2"$. ALL OTHER DIMENSIONS $\pm 1/4"$ UNLESS NOTED.



JOB NAME: KJOS RESIDENCE

DATE: 01/03/17 REVISED: # _____

DRAWN BY: LF

PAGE: 4

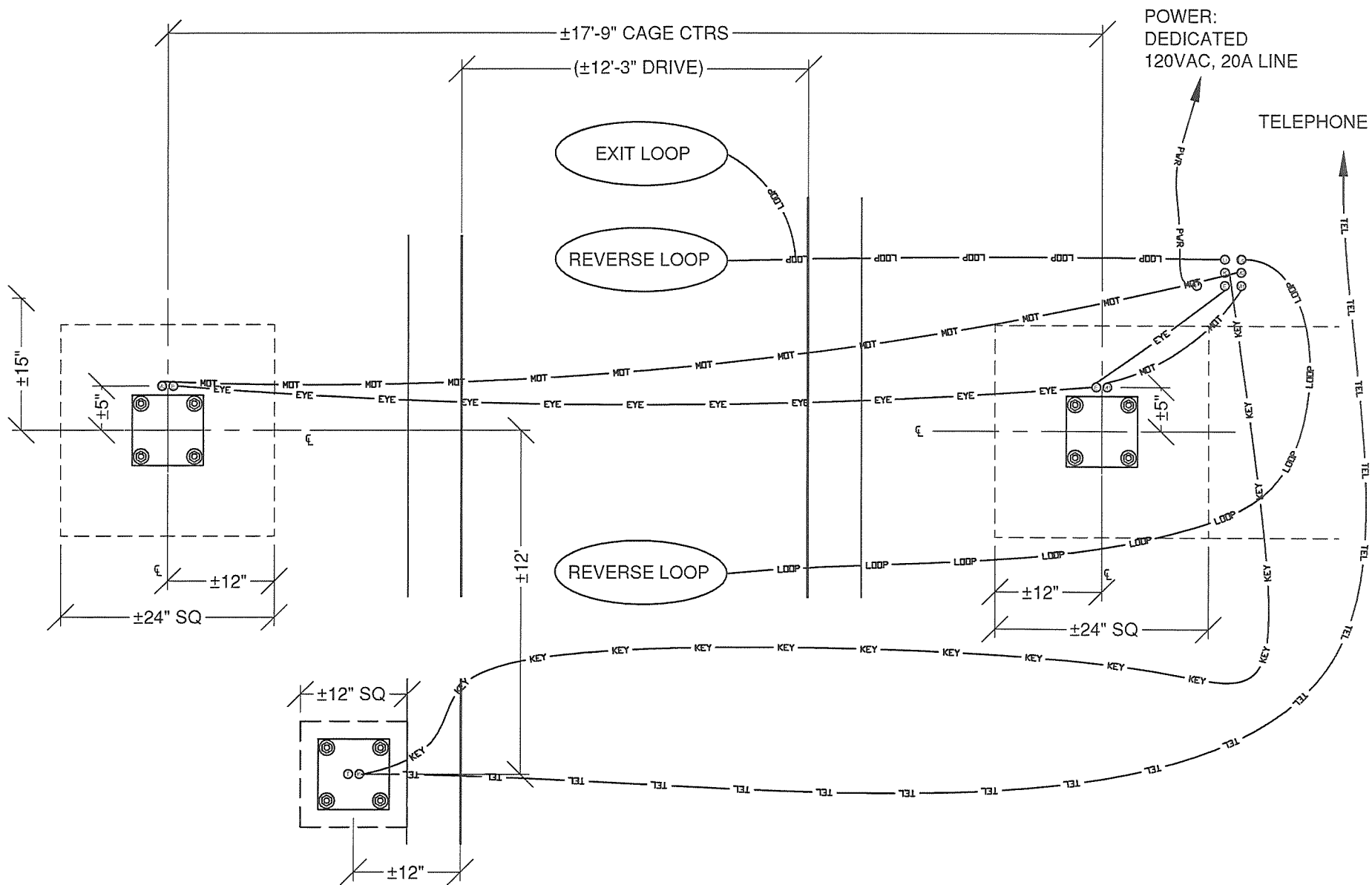
Automated Gates & Equipment Co.

10847 E. Marginal Way So., Seattle, WA. 98168

PH 206-767-9080

FX 206-767-9077

www.aegates.com



FOOTING DETAIL
SCALE 3/4" = 1'-0"



JOB NAME: KJOS RESIDENCE

DATE: 01/03/17 REVISED: # _____

DRAWN BY: LF

PAGE: 4

Automated Gates & Equipment Co.

10847 E. Marginal Way So., Seattle, WA, 98168

PH 206-767-9080

FX 206-767-9077

www.aegates.com